



Premium MF-B4

Unlock a higher level of production efficiency with the B4 Series flatbed applicator — a versatile, fully featured machine built for modern workflows. The innovative tilted table design lowers transport costs and makes installation effortless, even in tight spaces. With quick assembly and user friendly operation, your team can get up and running in no time. The integrated media roll holder provides seamless material feeding, keeping your process smooth and consistent.



1. LED Illumination
Illuminated table is ideal to apply multicolored or translucent graphics.

2. Safety Glass
Hybrid Laminating for Rigid & Flex Media.

3. Optional Side-tray
Easier application onto banners.

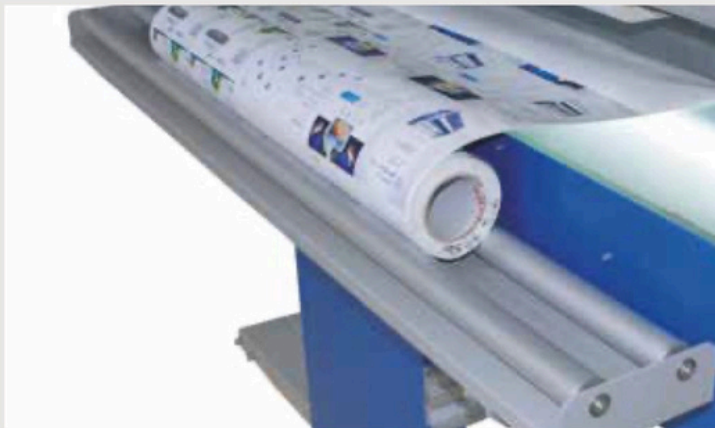
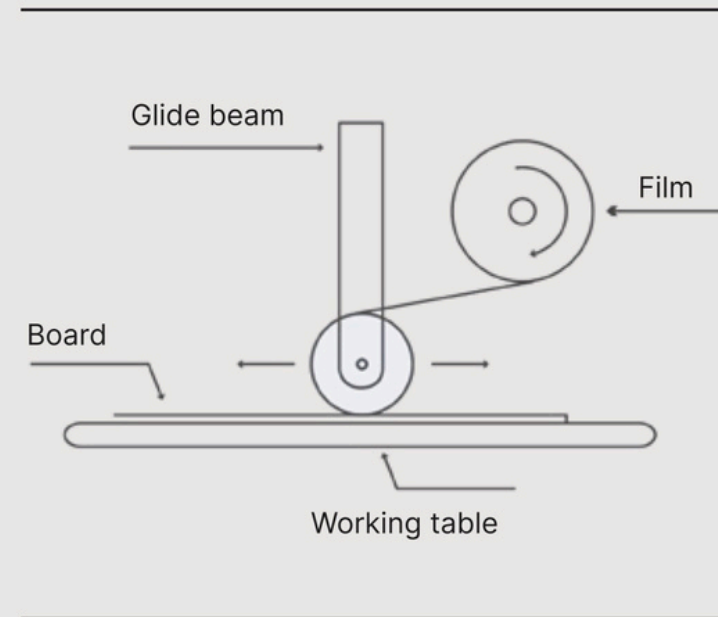
4. 130mm Silicon Roller
Premium heavy-duty rollers for enough pressure.

Product Details

Technical Parameter

Flatbed	Premium
Lam Size	1300×2500mm 1600×3000mm 1600×3200mm
Max Lam Thickness	50mm/1.9"
Max Temp	60°C
Side Trays	Yes
Up and down	Pneumatic
Roller	Silicon(130mm)
LED Illumination	Yes
Safety Glass	Yes
Media holder at end of table	Yes

Lamination



Media roll holder on bed end

- A media roll holder on bed end for printed or cut film.



Tilted Table & Safety Glass

- Hybrid Laminating for Rigid & Flex Media.
- Tilted table for easier entrance, saving transport cost and space.
- Easy assembling and operating.



Pneumatic Lifting System

- Roller up and down by Pneumatic.